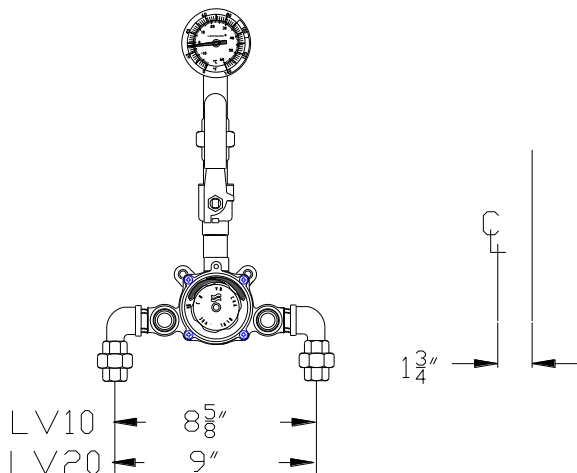


Thermostatic MIXING VALVES ECO-MIX™

LV-554-10-LF, 20-LF* Exposed Assemblies

__LV-554-10-LF 1/2" inlets and outlet

__LV-554-20-LF 3/4" inlets and outlet *



- Group / Individual Shower Control Unit
- Thermostatic water mixing valve
- Copper encapsulated thermostatic assembly with stainless steel shuttle
- Combination checkstops, unions on inlets, wall support
- Locking temperature regulating handle
- Tempered outlet ball valves
- Color coded dial thermometer (0 to 140°F, -10° to 60°C)
- Temperature adjustment range, 90-140°F (32-60°C) **
- Maximum operating pressure: 125 PSIG (860KPA)
- Bottom threaded inlets, top threaded outlet
- Factory assembled and tested
- Rough bronze finish
- See Flow Capacity Chart to select correct size

OPTIONS:

__SUFFIX CP - Chrome plated finish

*Valve is ASSE 1017 certified



*Valve is CUPC certified



MODEL	IN	OUT	MINIMUM FLOW (GPM) (l/min)	SYSTEM PRESSURE DROP (PSIG)										
				5	10	15	20	25	30	35	40	45	50	PSI
				.3	.7	.97	1.4	1.7	2.1	2.4	2.8	3.1	3.4	BAR
LV-554-10-LF	1/2"	1/2"	1.0 3.8	4 15	6 23	7.5 28	8.8 33	10 38	11 42	12 46	13 49	14 53	15 56	GPM l/min
LV-554-20-LF	3/4"	3/4"	1.0 3.8	6 23	9 34	12 45	14 53	16 61	18 68	20 76	22 83	24 89	25 95	GPM l/min

**NOTE: For temperatures outside of this valve's stated range, please see our line of bi-metal valves.

Engineer's Approval	Job # _____
	Arch/Eng. _____
	Contractor _____

CAUTION! All thermostatic water mixing valves have limitations. They will NOT provide the desired accuracy outside of their flow capacity range. Consult the Flow Capacity Chart and DO NOT OVERSIZE. Minimum flow must be no less than as indicated.

+NOTE: The valve will maintain temperature with 0.5GPM flow from the domestic hot water loop when properly installed near the hot water source with a continuously operating recirculation pump.

Valve is certified to meet Low-Lead requirements of wetted surface area containing less than 0.25% lead by weight. All other fittings and components, the sum total of which comprise the wetted surface of this product, contain less than one quarter of one percent of lead by weight.



WARNING: This product can expose you to chemicals including lead, which is known to the State of California to cause cancer. For more information, go to www.P65Warnings.Ca.gov

Note: Leonard Valve Company reserves the right of product, or design modifications without notice or obligation.



1360 Elmwood Avenue, Cranston, RI 02910 USA

Phone: 401.461.1200 Fax: 401.941.5310

Email: info@leonardvalve.com

Web Site: <http://www.leonardvalve.com>